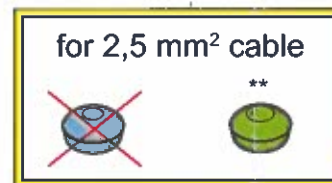
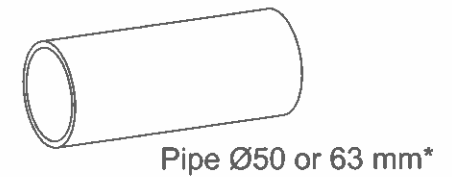
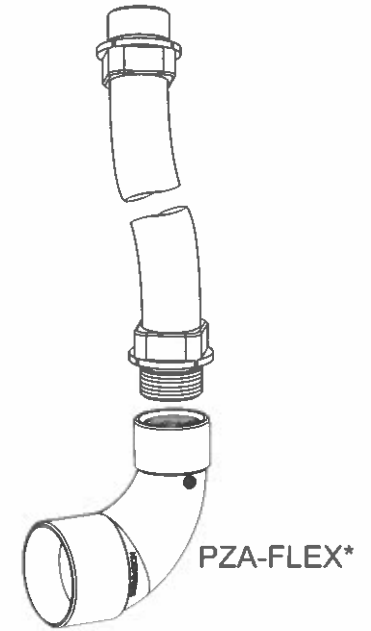
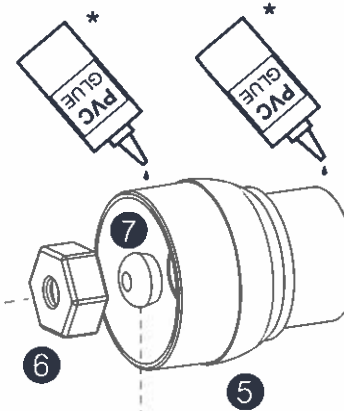
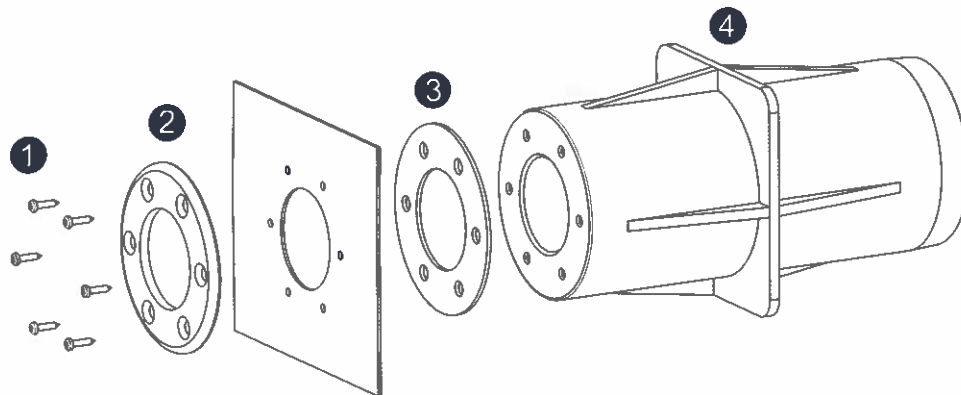
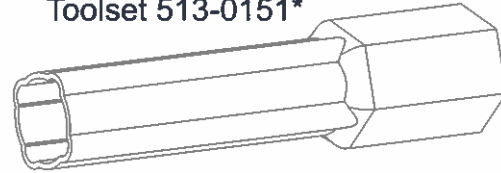


PZA-WC-NG

1. Screws (6)
2. Liner ring
3. Sealing gasket liner
4. Concrete wall conduit
5. Tail piece
6. Hexagon nut
7. Sealing gasket (cable)

Toolset 513-0151*



(*) Not included, sold separately
(**) Not included, provided with lamp

DURAVISION