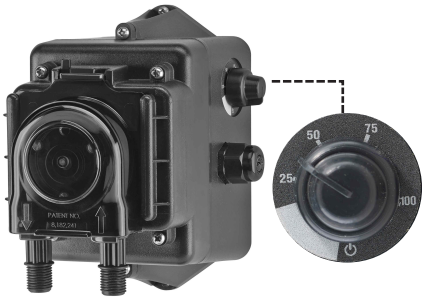


# ECON VX SERIES SPECIFICATIONS

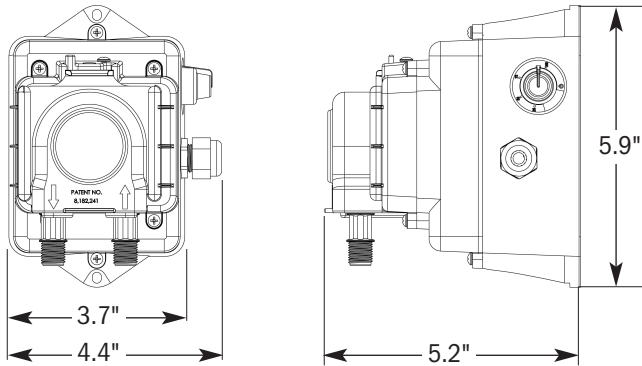
**STENNER PUMPS®**



**Shipping Weight** 4 lbs (1.5 kg)



**CE** IP44  
Listings vary by model



## FEATURES

- Manually adjustable flow rate output
- Enclosed housing
- Self-priming, does not lose prime or vapor lock
- Pumps off-gassing solutions and can run dry
- 3-point roller design assists with anti-siphon
- Tube replacement without tools
- Output reproducibility
- Tube lubrication not required

## SPECIFICATIONS

- Output Control** Adjustable potentiometer
- Reproducibility** ±5%
- Maximum Working Pressure** 80 psi (5.5 bar), 25 psi (1.7 bar)
- Maximum Operating Temperature** 104°F (40°C)
- Maximum Suction Lift** 25 ft (7.6 m) vertical lift, based on water
- Motor Type** 24VDC, brushed
- Shaft RPM (average maximum)** 26, 44
- Duty Cycle** Continuous
- Maximum Viscosity** 100 Centipoise
- Motor Voltage** 120V 60Hz (0.25A), 230V 60Hz (0.17A), 230V 50Hz (10W), 24VDC (0.5A)
- Power Cord Type** 120V 60Hz, 230V 60Hz: SJTOW, 230V 50Hz: H05RN-F, 24VDC pigtail
- Power Cord Plug End** 120V 60Hz NEMA 5-15P, 230V 60Hz NEMA 6-15P, 230V 50Hz CEE7/7, 24VDC pigtail
- Power Cord Length** 6 ft (1.8 m) or 24VDC Pigtail 1 ft (30.5 cm)
- Classification** Indoor & outdoor

## MATERIALS OF CONSTRUCTION

- All Housings** Polycarbonate
- Pump Tube & Check Valve Duckbill** Santoprene® (FDA approved)
- Pump Head Rollers** Polyethylene
- Suction/Discharge Tubing, Ferrules** Polyethylene (FDA approved)
- Tube and Injection Fittings** PVC or Polypropylene (both NSF listed)
- Connecting Nuts** PVC or Polypropylene (both NSF listed)
- Suction Line Strainer and Cap** PVC or Polypropylene (both NSF listed); ceramic weight
- All Fasteners** Stainless steel

## ACCESSORIES

- 3 Connecting nuts 1/4"
- 3 Ferrules 1/4"
- 1 Duckbill check valve
- 1 Weighted suction line strainer 1/4"
- 1 20' Roll suction/discharge tubing 1/4" white  
OR 6 mm White *Europe*
- 1 Additional pump tube
- 1 Manual

\* Santoprene® is a registered trademark of Exxon Mobil Corporation.

## FLOW RATE OUTPUTS

Item Number Prefix	Pressure Max. psi	Pump Tube	Roller Assembly	Gallons per Day	Gallons per Hour	Ounces per Hour	Ounces per Minute	Liters per Day	Liters per Hour	Milliliters per Hour	Milliliters per Minute	Pressure Max. bars
E10VXA	25	A	White	0.8-7.4	0.03-0.31	0.4-39.5	0.01-0.66	3.0-28.0	0.13-1.17	125.0-1166.7	2.08-19.44	1.7
E10VXB	25	B	White	1.2-14.0	0.05-0.58	6.4-74.7	0.11-1.24	4.5-52.9	0.19-2.20	188.0-2204.2	3.13-36.74	1.7
E20VXB	25	B	White	1.6-24.8	0.07-1.03	8.6-132.3	0.14-2.20	6.0-93.7	0.25-3.90	250.0-3904.2	4.17-65.07	1.7
E20VXC	25	C	White	4.4-38.8	0.18-1.62	23.4-206.9	0.39-3.45	16.6-146.7	0.69-6.11	692.0-6112.5	11.53-101.88	1.7
E10VXH	80	H	Black	1.7-14.0	0.07-0.58	9.1-74.7	0.15-1.24	6.4-52.9	0.27-2.20	267.0-2204.2	4.45-36.74	5.5
E20VXH	80	H	Black	2.7-23.5	0.11-0.98	14.5-125.3	0.24-2.09	10.2-88.8	0.43-3.70	425.0-3700.0	7.08-61.67	5.5

Approximate Outputs @ 50/60Hz

**NOTICE:** The information within this chart is solely intended for use as a guide. The output data is an approximation based on pumping water under a controlled testing environment. Many variables can affect the output of the pump. Stenner Pump Company recommends that all metering pumps undergo field calibration by means of analytical testing-confirm their outputs.