

HOUSE OF
DURATECH
innovative pool products

Manual

PL-REM-200

welldana®
●●●



12-09-22

LINK Driver


Table of contents

Technical specifications	Page 3
Box contents	Page 4
Installation instructions	Page 5
Pairing Handheld Transmitter & controller	Page 6
Handheld transmitter functions	Page 7
Replacing transmitter battery	Page 7
Troubleshooting	Page 7

DURALINK

Technical specifications

Electrical specifications

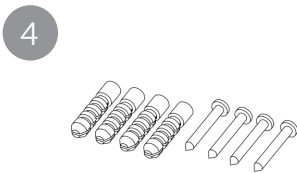
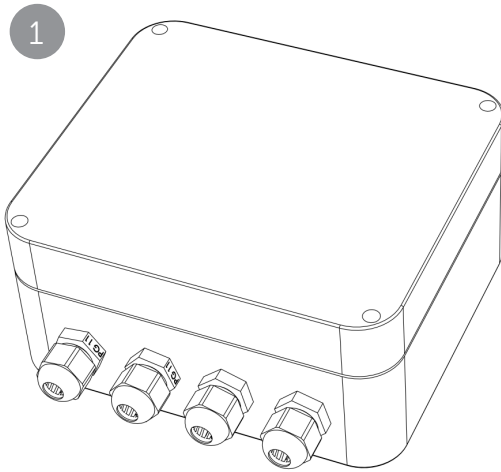
Nominal Input voltage	230 VAC 50 Hz
Output voltage on Lamp Output	12 VAC
Max output current on Lamp Output	16,7 A
Max rating Relay Contact A and B	
Resistive Load	14A 250VAC 14A 30VDC
Inductive Load	6A 250VAC 6A 30VDC
Transformer VA rating	200VA
Fuse type	5x20mm cartridge fuse 5A 250V slow blow/time lag
Frequency band transmitter	868 MHz
IEC Protection Class	Class II 

General specifications Controller

Ambient air temperature	0°C ... +40°C
Humidity	10% ... 90% RH non condensing
Dimensions	195x194x90 mm
Weight	3,2 kg
Ingress protection rate	IP54

Box contents

1. PL-REM-200 controller
2. Handheld transmitter (DuraLink™ version)
3. Spare battery (type A23 12V)
4. Screws (4x) & wall plugs (4x)
5. Owners's manual

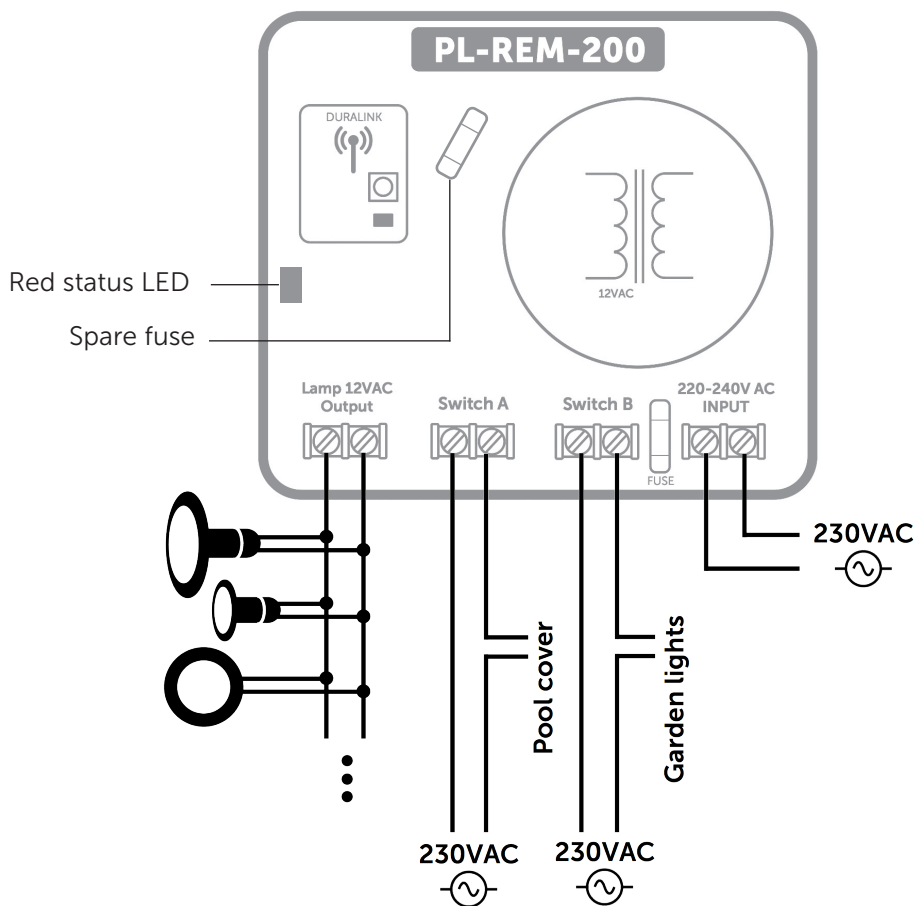


Installation instructions

- Connect a 230VAC power source to the "220-240VAC INPUT" terminal
- Connect the swimming pool lights to the "Lamp 12VAC output" terminal

! Make sure the total load of pool lights does not exceed 200Watt

Optional: The "Switch A" & "switch B" terminals can be used to control auxiliary circuits like a pool cover or garden lights.



Pairing handheld transmitter & controller

The handheld transmitter is already paired in the factory and ready to use. The PL-REM-200 can pair with up to 6 handheld transmitters. In case a problem arises, the pairing process can be done manually:

Manual Pairing process:

Make sure the PL-REM-200 is connected to a power source.

1. Press the pairing button on the small circuit board, inside the controller for at least 5 seconds.

--> The LED will start to blink fast

2. Within 25 seconds, press any button on the handheld transmitter.

--> If the transmitter is paired correctly, the LED will flash slowly for 5 times

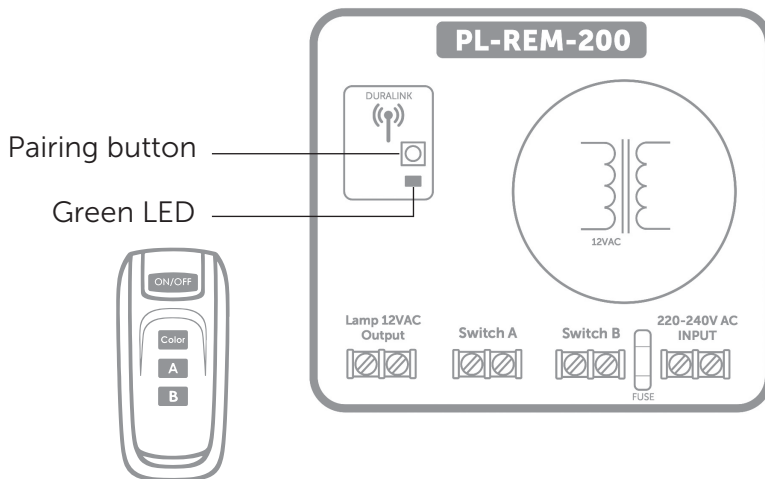
--> If the PL-REM-200 pairing memory is full, the LED will flash 15 times.

This means 6 handheld devices have already been paired.

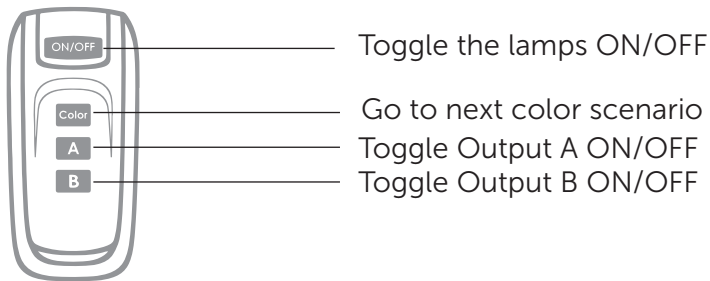
To unpair all handheld transmitters with the controller: Push the pairing button for at least 5 seconds, then do nothing for at least 25 seconds.

--> The pair memory will be erased - the green LED will flash 5x on/off.

⚠ If no transmitters are paired, the PL-REM-200 will accept messages from any transmitter!

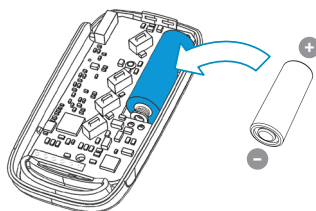
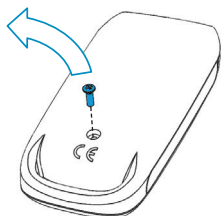


Handheld transmitter functions



Replacing transmitter battery

- Remove the philips head screw and open the transmitter
 - Replace the battery, respecting the polarity
- Battery type: A23 12V



Troubleshooting

PROBLEM

The controller doesn't react to transmitter commands

SOLUTION

- Check the battery of the handheld transmitter
- The transmitter is not paired-correctly with the controller. Repeat the pairing process
- Reduce the distance between handheld transmitter and PL-REM-200 and/or remove obstacles

The pool lights don't work

- Check the red status LED
 - Check if there is 12VAC output at the terminals of the controller
 - Check the fuse of the controller
- If the fuse is ok, and there is still no 12VAC output, contact your distributor

Declaration of Conformity

Declarations of conformity covering this product are available for download from the House of Duratech website: www.duratech.be

HOUSE OF
DURATECH
innovative pool products

DURAVISION
Pool Light products

- VISION Moonlight
- VISION Spectra
- VISION Adagio Pro
- VISION Pro
- VISION Wall Conduits
- VISION Faces Plates
- VISION Specials

DURAHHEAT
Heat Pump products

- HEAT Hot Splash
- HEAT Sun Spring
- HEAT Dura V
- HEAT Dura Vi
- HEAT Dura +i
- HEAT Dura Pro
- HEAT Accessories

DURAFLOW
Pool Flow products

- FLOW Inverter

DURACOVER
Cover System products

- COVER Tube
- COVER Motor
- COVER Wall Duct
- COVER Cable Duct
- COVER Hanging System

DURALINK
Control products

- LINK Driver
- LINK Touch
- LINK Controller
- LINK Cover
- LINK Master
- LINK Accessoires



Contact details

Propulsion Systems bv
Dooren 72
1785 Merchtem, Belgium

Tel +32 2 461 02 53

www.duratech.be
info@propulsionsystems.be



DURALINK

402-0019-2



We reserve the rights to change all or part of the contents of this document without prior notice