

## Product Description

### SPECIFICATIONS

4 season semi-automatic safety pool cover

Safety standard: AFNOR NF P 90-308 décembre 2013



Operable by one person by ratchet (Racagnac) to place on the driving drum to open and close.



**Tarpaulin :** Textile Précontraint Serge Ferrari (PVC armé)

**Belts / straps:** Polyurethane with stainless steel cable

**Mechanical:** All the metal parts involved in the safety are in 316 stainless steel.

**Rails:** Anodized 6005 T6 aluminum.

Width C500SA : Min 2 meters -> Max 6 meters

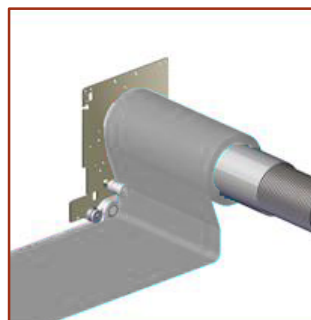
Lenght C500SA : Min 2 meters -> Max 16 meters

Width C700SA : Min 2,5 meters -> Max 8,5 meters

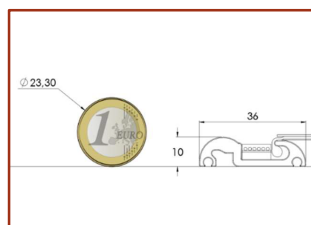
Lenght C700SA : Min 2 meters -> Max 17 to 24 meters (Depending of the cover width)

Opening/Closing time : 60 sec for a 13 meters length.

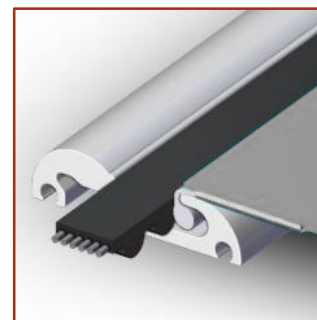
Technology protected by several patents



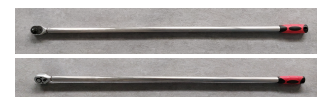
Dimension of mini rail



Patented Side Locking Technology



Ratchet (Racagnac)



### AVAILABLE COVER COLORS

Grey

Green

Blue

Blue Caribbean

Beige

Black



RAL 7037

RAL 6026

RAL 5013

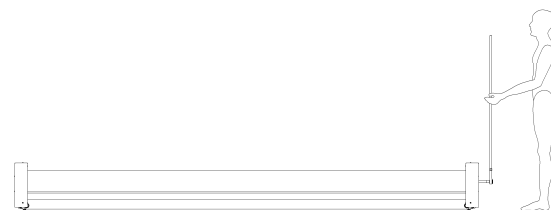
RAL 5015

RAL 1015

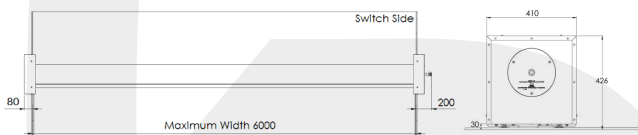
RAL 9005

### THE MECHANISM LINING (STANDARD)

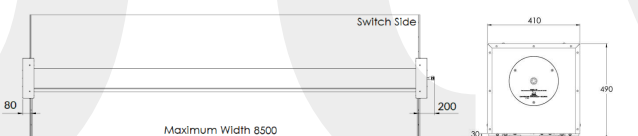
Sides covers 316 brushed stainless steel.



### MEASURES C500M (in mm)



### MEASURES C700M (in mm)



### OPTIONS

- Closing sensor
- All terrain rail 72,0 x 10,6 mm
- Powder coated aluminum casing with matte epoxy finish. Choice of RAL K7 Classic paint, except fluo.



Data Sheet: Type C500M/C700M  
Model 102 According to norm Afnor NF P90-308 of décembre 2013



coverseal