

DATA SHEET – COVERSEAL MODÈLE 102

Automatic Model : Type C600/C800/900

v 0.8- 2021

Product Description

SPECIFICATIONS

4 season semi-automatic safety pool cover

Safety standard: AFNOR NF P 90-308 décembre 2013



Operable electrically by one person by means of a remote control with maintained contact for opening and closing the cover.



Operable manually by ratchet (Racagnac) only in case of electrical failure.



2 x 12V 5,5Ah batteries connected in series to power 1 electronic card for the motor and 1 electronic card for the remote control



The 24V Batteries, at full load, allow ± 10 openings / closures for a cover of 13 meters length.



Tarpaulin : Serge Ferrari Precontraint membrane

Belts / straps: Polyurethane with stainless steel cable

Mechanical: All the metal parts involved in the safety are in 316 stainless steel.

Rails: Anodized 6005 T6 aluminum.

Width C600 : Min 2 meters -> Max 6 meters

Length C600 : Min 2 meters -> Max 16 meters

Width C800 : Min 2,5 meters -> Max 8,5 meters

Length C800 : Min 2 meters -> Max 17 to 24 meters
(Depending of the cover width)

Width C900 : Min 2,5 meters -> Max 12 meters

Length C900 : Min 2 meters -> Max 17 to 24 meters
(Depending of the cover width)

Opening/Closing time : 60 sec for a 13 meters length.

AVAILABLE COVER COLORS

Grey

Green

Blue

Blue Caribbean

Beige

Black



RAL
7037

RAL
6026

RAL
5013

RAL
5015

RAL
1015

RAL
9005

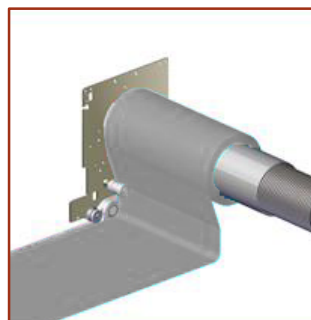
THE MECHANISM LINING (STANDARD)

Powder coated aluminum casing with matte epoxy finish.
Choice of RAL K7 Classic paint, except fluo.

OPTIONS

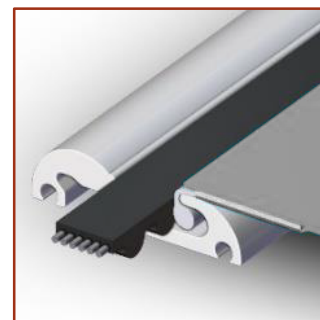
- Closing sensor
- All terrain rail 72,0 x 10,6 mm
- 2 extra solar pannels

Technology protected by several patents

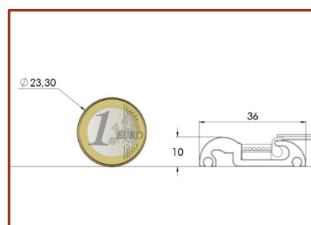


Dimension of mini rail

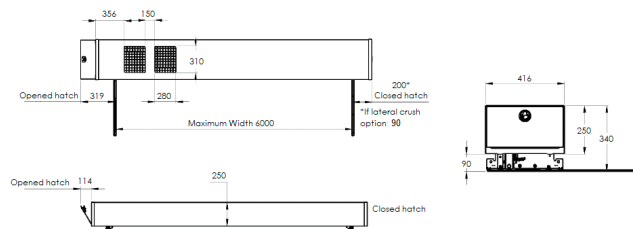
Patented Side Locking Technology



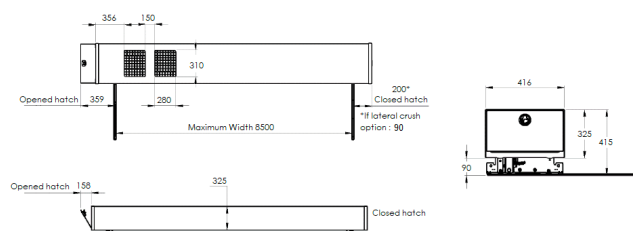
Remote control



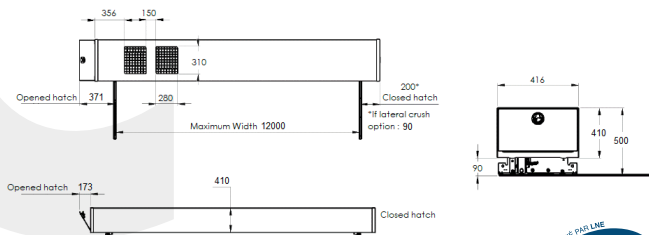
DIMENSIONS C600 PAINTED LINING (in)



DIMENSIONS C800 PAINTED LINING (in)



DIMENSIONS C900 PAINTED LINING (in)



Data Sheet: Type C600/C800/C900
Model 102 According to norm Afnor NF P90-308 of décembre 2013



coverseal

Automatic Model with Electrical Cylinders : Type C650/C850

v 0.8- 2021

Product Description

SPECIFICATIONS

4 season semi-automatic safety pool cover



Operable electrically by one person by means of a key operated remote control with maintained contact for opening and closing the cover.



Operable manually by ratchet only in case of electrical failure.



2 x 12V 5,5Ah batteries connected in series to power 1 electronic card for the motor and 1 electronic card for the remote control



The 24V Batteries, at full load, allow ± 10 openings / closures for a cover of 13 meters length.



Tarpaulin : Serge Ferrari Precontraint membrane

Belts / straps: Polyurethane with stainless steel cable

Mechanical: All the metal parts involved in the safety are in 316 stainless steel.

Rails: Anodized 6005 T6 aluminum.



4 electrical cylinders to lift/lower the lining

Security norm : AFNOR NF P 90-308 décembre 2013

Width C650 : Min 2 meters -> Max 6 meters

Lenght C650 : Min 2 meters -> Max 16 meters

Width C850 : Min 2,5 meters -> Max 8,5 meters

Lenght C850 : Min 2 meters -> Max 17 to 24 meters
(Depending of the cover width)

AVAILABLE COVER COLORS

Grey Green Blue Blue Caribbean Beige Black



RAL 7037



RAL 6026



RAL 5013



RAL 5015

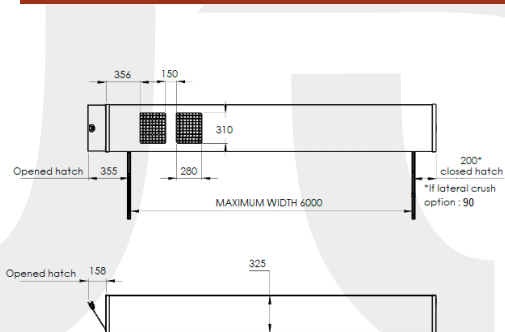


RAL 1015

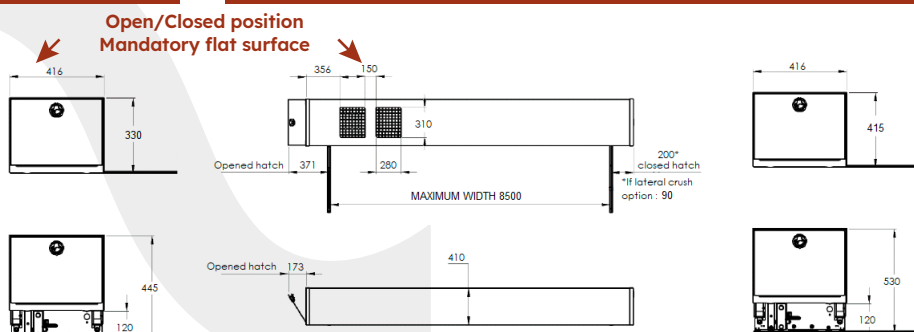


RAL 9005

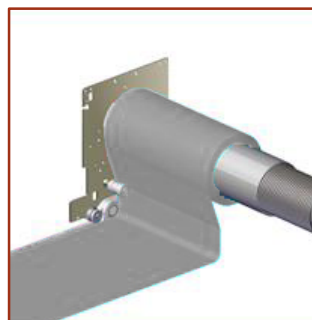
DIMENSIONS C650 PAINTED LINING (in mm)



DIMENSIONS C850 PAINTED LINING (in mm)

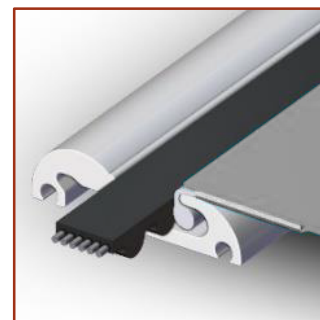


Technology protected by several patents

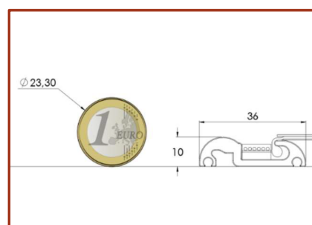


Dimension of mini rail

Patented Side Locking Technology



Remote control



THE MECHANISM LINING (STANDARD)

Powder coated aluminum casing with matte epoxy finish. Choice of RAL K7 Classic paint, except fluo.

OPTIONS

- Closing sensor
- All terrain rail 72,0 x 10,6 mm
- 2 extra solar panels



Data Sheet: Type C650/C850
Model 102 According to norm Afnor NF P90-308 of décembre 2013



coverseal