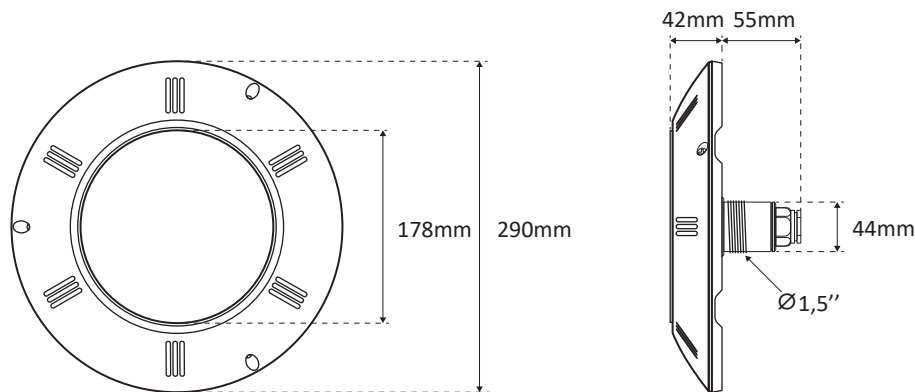




Model : 34-131015
 Type : 60 LED 2835 / 120°
 Color : white 6500K
 Control : On/Off
 Functions : N/A
 Material : Fixture and lens in polycarbonate (PC), ring in ASA
 1,5" thread to screw in vacuum fitting
 Wire connection : 2 screw terminals
 2 meters HO7RNF wire 2x1,5mm²
 HS code : 9405403990
 Bar code : 3700450502860
Contents of the packaging :

- Flat LED Projector
 - 1 white crown
 - 2 heat shrinkable connectors
 - 2 gaskets
 - 1 H07RNF cable 2x1,5mm²
 - Inground pool installation kit
 - 5 nylon screws
 - Usage and maintenance manual
- Option :**
- Above ground pool installation kit

DIMENSIONS



PACKING

Part Number	Box	Weight	Size	Carton	Weight	Size	Pallet	Weight	Size
34-131015	1U	1,62kg	30x30x11,5cm	5U	8,1kg	60x32x32cm	180U	316kg	100x120x207cm

CONNECTION

Use a 2 x 1mm² minimum cross section of connecting cable, to adapt according to the distance between the junction box of the projector and the transformer well as the power input.

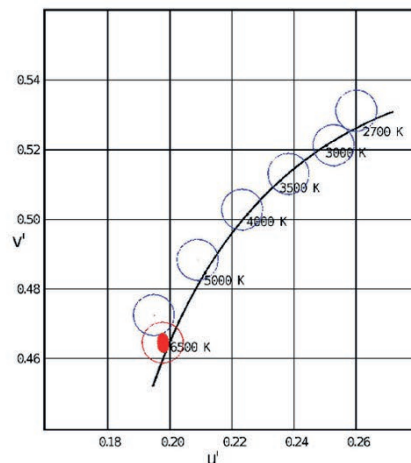
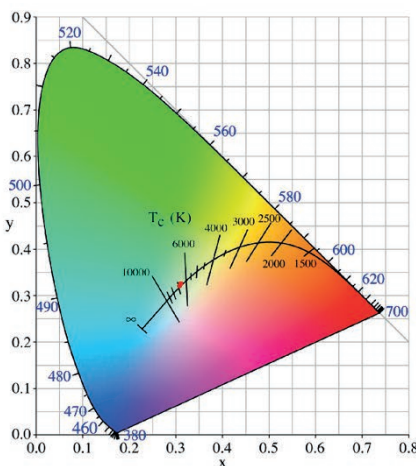
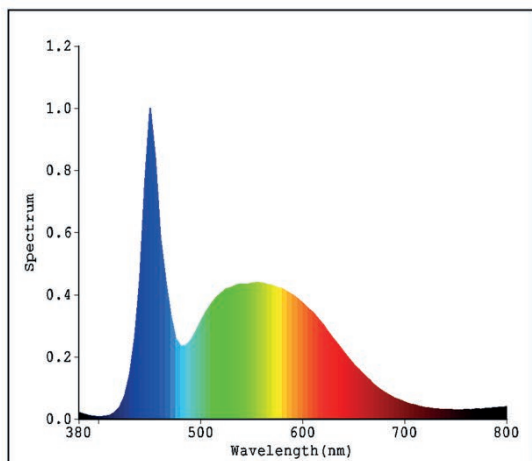


~12V(AC)
or ~20V(DC)

USE ONLY WITH A SAFETY TRANSFORMER / DO NOT PLUG IN SERIES /
PROTECT THE CONNECTOR WITH INSULATING GEL

PHOTOMETRY

(Measurements performed in laboratory; * measurements made in water immersion)



Color temperature : white 6500K
 Ra (IRC) : 86*
 Diffusion angle : 120°
 Nominal luminous flux: 1650 lumens*
 Useful luminous flux (angle 120°) : 1450 lumens*

ELECTRICAL PARAMETERS

Max instant power : 13,50W*
 Stabilized power >1h : 13,50W*
 Power voltage : ~12V(AC) 50/60Hz or ~20V(DC)
 PF max : 0,7 si ~12V(AC)
 PF max : 1 si ~20V(DC)
 Mini power supply ~12V(AC) [(Pi / PF)+20%] : 23VA
 Electrical Class : III
 EEI : 0,14

Instant Full Light

CLASS III III ~12V(AC) ~20V(DC)

120°

OTHER PARAMETERS

Protection index : IP68*
 LED life span: > 10 000h
 On/Off Cycles : > 100 000
 Use : permanent under water use only

On/Off >100 000

Hg 0,00mg

IP68 1,0m

USE ONLY IN OUTDOOR POOL LAMP NOT SUITABLE FOR ACCENT LIGHTING

CERTIFICATION

EMC 2014/30/EU Directive.
 EN60598-1 / EN60598-2-18 Norm in all its modifications.



Welldana A/S
 Randersvej 6 · DK-6700 Esbjerg
 Phone +45 75 27 23 33
 Fax +45 75 27 21 11
 E-mail: info@welldana.com
 www.welldana.com

