

POLYETHYLENE TANKS – series DS

Welldana Dosing Tanks are manufactured in linear Polyethylene/HDPE to provide containment of toxic liquids and are suitable for prolonged exposure to UV, are resistant to weather and degradation over time. They are FDA certified and are monobloc cast (made without welding) and are rotationally moulded.

Screwed, vented lids are supplied as standard with all tanks.

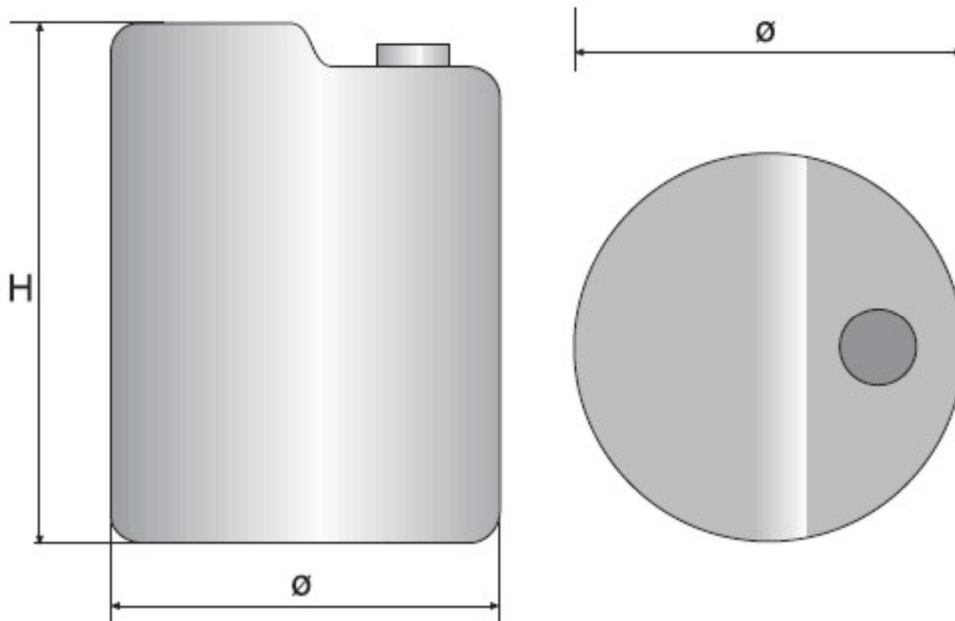
The tanks are supplied as standard in Natural White colour; different colours are available upon request.

The tanks are available with a number of accessories including PP Tank Support Plates, PP Inlet/Outlet Valves and Open Safety Bunds.



DS	LT	Code	Ø mm	H mm
DS 05	60L	1SRB045	380	680
DS 1	108L	1SRB002	470	680
DS 2	230L	1SRB003	610	870
DS 3	315L	1SRB004	680	960
DS 5	530L	1SRB005	840	1065
DS 10	1040L	1SRB006	1000	1460

* Different sizes and thicknesses available upon request.

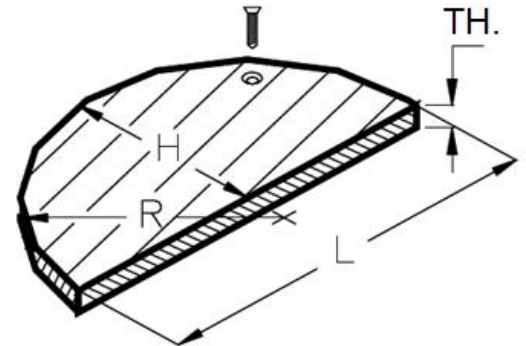


POLYETHYLENE TANKS – series DS

ACCESSORIES

PP Tank Support for motorized mixer and/or dosing pump

For	LT	Code	L mm	H mm	R mm	TH. mm
DS 05	60L	1ACS043	344	124	181	10
DS 1	108L	1ACS027	425	205	213	10
DS 2	230L	1ACS025	545	235	275	10
DS 2	230L	1ACS056	545	235	275	20
DS 3	315L	1ACS018	630	290	316	10
DS 3	315L	1ACS057	630	290	316	20
DS 5	530L	1ACS018	770	335	389	10
DS 5	530L	1ACS058	770	335	389	20
DS 10	1040L	1ACS019	940	420	473	20



* Different thicknesses are available upon request.

Polyethylene (PE) Open Safety Bund

For	LT	Code	∅ mm	H mm
DS 05 & DS 1	60-108L	ASB0001001	505	620
DS 2	230L	ASB0000801	680	800
DS 3	315L	1SRB038	785	940
DS 5	530L	1SRB042	885	940
DS 10	1040L	1SRB027	1100	1300

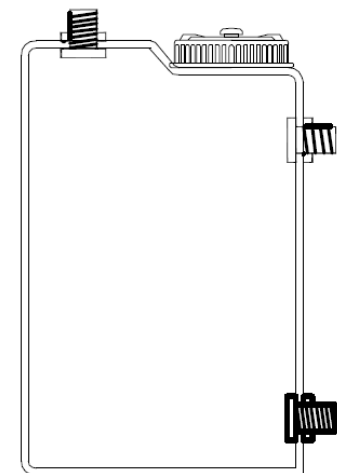
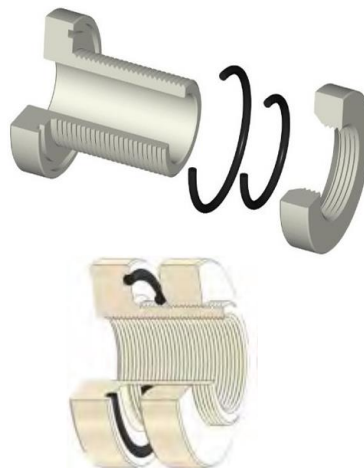
* Different sizes and thicknesses are available upon request.



PP Opening for Water Flow with o-ring

Fitting	DN mm	O-Ring	Code
½"	15	FPM	1TRO002
½"	15	EPDM	1TRO006
¾"	20	FPM	1TRO012
¾"	20	EPDM	1TRO011
1"	25	FPM	1TRO003
1"	25	EPDM	1TRO001
1¼"	32	FPM	1TRO010
1¼"	32	EPDM	1TRO009
1½"	40	FPM	1TRO005
1½"	40	EPDM	1TRO008
2"	50	FPM	1TRO004
2"	50	EPDM	1TRO007

* Different types are available upon request.



Upon request, it could be complete with inlet or outlet ball valve.



POLYETHYLENE TANKS – series DS

OTHER ACCESSORIES/EQUIPMENT TO USE TANKS

SUCTION LANCE:

Adjustable height PVC Suction Lance with foot valve/filter and float switch. From 35 to 130cm with 4x6 connections and 100cm with 10x14 connections.



FOOT FILTER WITH LEVEL SWITCH:

PVDF and/or PP Foot Filter with ceramic ball valve, complete with level sensor.



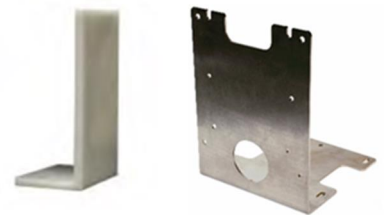
FLOATING LEVEL SWITCH:

Floating Level Switch complete with plastic support to be linked to heavy foot filter. The foot filter weight allows to adjust the floating switch to the desired height inside the chemical tank.



SUPPORT BRACKET

PE and Stainless Steel Support Brackets for foot mounting dosing pump on tank.



SUBMERSIBLE ELECTRODE HOLDER

PVC Submersible Electrode Holders for pH and Rx (ORP) electrodes, from 0.45m to 3m. Upon request, it could be complete with a PVC support bracket.



MIXERS

Fast or Slow Mixers, from 60cm to 150cm, shaft and impeller in stainless steel or PP covering a steel core (different materials are available upon request). Available also Manual Mixers in PVC, 60 or 80cm.



POLYETHYLENE TANKS – series DS

EXAMPLES OF COMPLETE DOSING SYSTEMS

Composed of: Dosing Pump, Mixer, Tank complete with Tank Support, foot valve and else.

