

Super Pump® Pro

YEARS OF WARRANTY



* Except for SP1606XE81

Proven reliability, especially imagined for professionals

- **Heavy duty, high performance** motor for quieter operation
- Extended-life Viton® pump seal for improved **resistance against chemicals**
- **Easy maintenance:** large basket and exclusive swing-away hand knobs - no tools required
- **Easy to install:** union kit included
- Direct replacement of former 2" Super Pump® without any installation modification
- Recommended for pools **up to 100 m³**



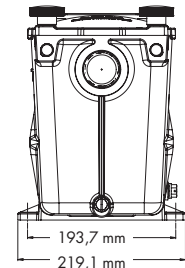
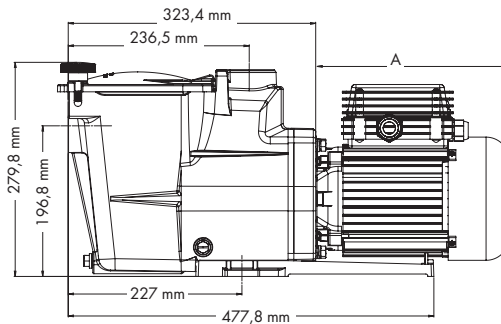
EXPERT LINE



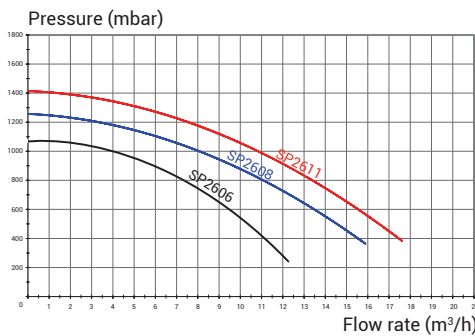
Union kit included



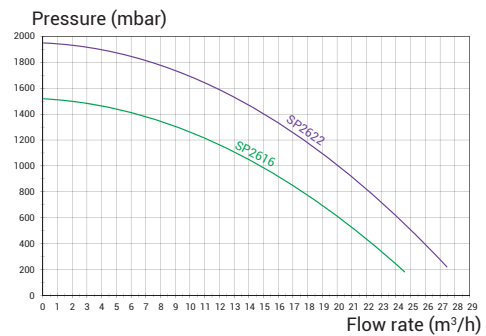
See-through strainer cover



➤ Unions 50 mm



➤ Unions 63 mm



| | Type | Dim. A | Weight | Flow rate* | I/O | Unions | Input Power P1 | Output Power P2 | Amperage | Item |
|------------------------------|--------|--------|--------|------------|-----|----------|----------------|-----------------|-----------|--------------------------|
| SINGLE PHASE SUPER PUMP® PRO | 1/2 HP | 183 mm | 14 kg | 7.5 m³/h | 2" | 2"/50 mm | 870 W | 550 W | 3.6 A | SP2606XY81 |
| | 3/4 HP | 183 mm | 14 kg | 11 m³/h | 2" | 2"/50 mm | 870 W | 550 W | 3.6 A | SP2608XY111 |
| | 1 HP | 213 mm | 15 kg | 13.5 m³/h | 2" | 2"/50 mm | 975 W | 720 W | 4.3 A | SP2611XY161 |
| | 1.5 HP | 213 mm | 15 kg | 18 m³/h | 2" | 2"/63 mm | 1100 W | 790 W | 5 A | SP2616XY221 |
| | 2 HP | 232 mm | 16 kg | 22 m³/h | 2" | 2"/63 mm | 1500 W | 1115 W | 7.25 A | SP2622XY251 |
| THREE PHASE SUPER PUMP® PRO | 1 HP | 213 mm | 14 kg | 13.5 m³/h | 2" | 2"/50 mm | 900 W | 750 W | 2.8/1.6 A | SP2611XY163 IE3 ✓ |
| | 1.5 HP | 213 mm | 14 kg | 18 m³/h | 2" | 2"/63 mm | 900 W | 750 W | 2.8/1.6 A | SP2616XY223 IE3 ✓ |
| | 2 HP | 232 mm | 16 kg | 22 m³/h | 2" | 2"/63 mm | 1 330 W | 1 100 W | 4/2.3 A | SP2622XY253 IE3 ✓ |

* under 8 m water column pressure