

# sand filters

## san sebastian® sand filters

San Sebastian® filter made in laminated polyester and reinforced with fibre glass.

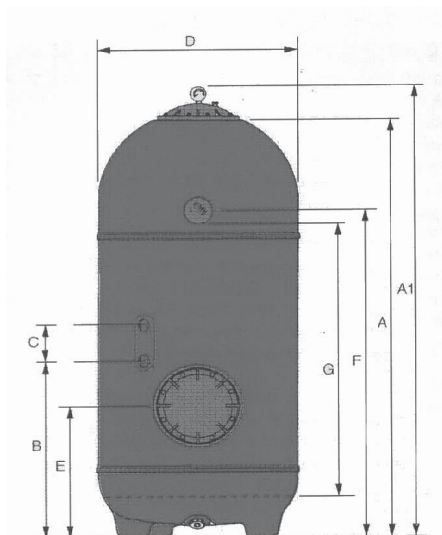
Equipped with side mounted 6-ways selection valve.

The San Sebastian filters are available with filtration bed 1,0 m or 1,2 m.

The San Sebastian filters are available with nozzles or lateral system.

All filters come with sight glass, and top/side lids. Test pressure 3,75Kg./cm<sup>2</sup>.

Operating temperature 1 – 50°C. Working pressure 1 – 2,5Kg./cm<sup>2</sup>.



Size	D 640 mm	D 760 mm	D 900 mm	D 640 mm	D 760 mm	D 900 mm	D 1200 mm
Filter area	0,32m <sup>2</sup>	0,45m <sup>2</sup>	0,63m <sup>2</sup>	0,32m <sup>2</sup>	0,45m <sup>2</sup>	0,63m <sup>2</sup>	1,13m <sup>2</sup>
Water flow m <sup>3</sup> /h. (40/50m/h/m <sup>2</sup> )	12 / 15	18 / 22	25 / 30	12 / 15	18 / 22	25 / 30	45/56
Valve connection	2"	2"	2"	2"	2"	2"	90 mm

Lateral system							
Sand quantity in total	475 Kg	650 Kg	925 Kg	575 Kg	800 Kg	1125 Kg	2075
Sand size 0,4 - 0,8 mm	425 Kg	600 Kg	850 Kg	525 Kg	750 Kg	1050 Kg	1875
Sand size 1 - 2 mm	50 Kg	50 Kg	75 Kg	50 Kg	50 Kg	75 Kg	200
Sand size 3-5 mm	0	0	0	0	0	0	

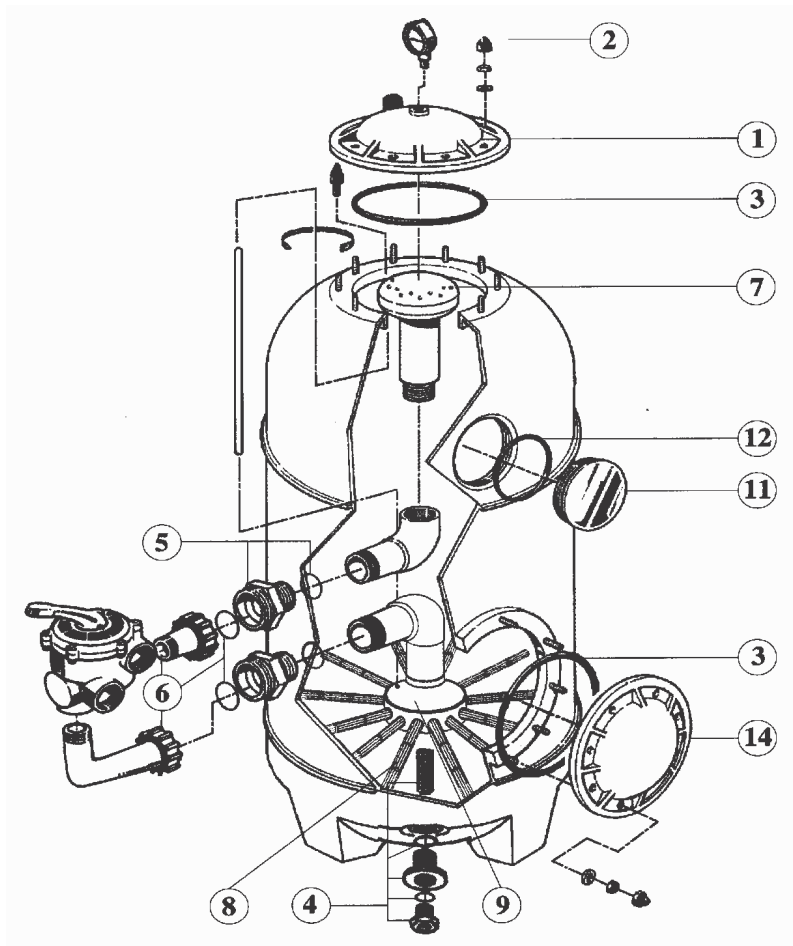
Nozzles system							
Sand quantity in total	425 Kg	625 Kg	875 Kg	525 Kg	725 Kg	1050 Kg	2050
Sand size 0,4 - 0,8 mm	375 Kg	575 Kg	800 Kg	475 Kg	675 Kg	975 Kg	1875
Sand size 1 - 2 mm	50 Kg	50 Kg	75 Kg	50 Kg	50 Kg	75 Kg	175
Sand size 3-5 mm	0	0	0	0	0	0	

Dimension:	1,0 m filter bed			1,2 m filter bed			
In mm	640	760	900	640	760	900	1200
A	1450	1490	1510	1740	1740	1740	1970
A1	1590	1630	1650	1880	1880	1880	2110
B	600	600	600	780	780	780	750
C	140	140	140	140	140	140	250
D	640	760	900	640	760	900	1650
E	460	510	500	550	650	650	850
F	1150	1180	1230	1455	1455	1455	1650
G	1000	1000	1000	1200	1200	1200	1200

# sand filters

## san sebastian® sand filters - lateral

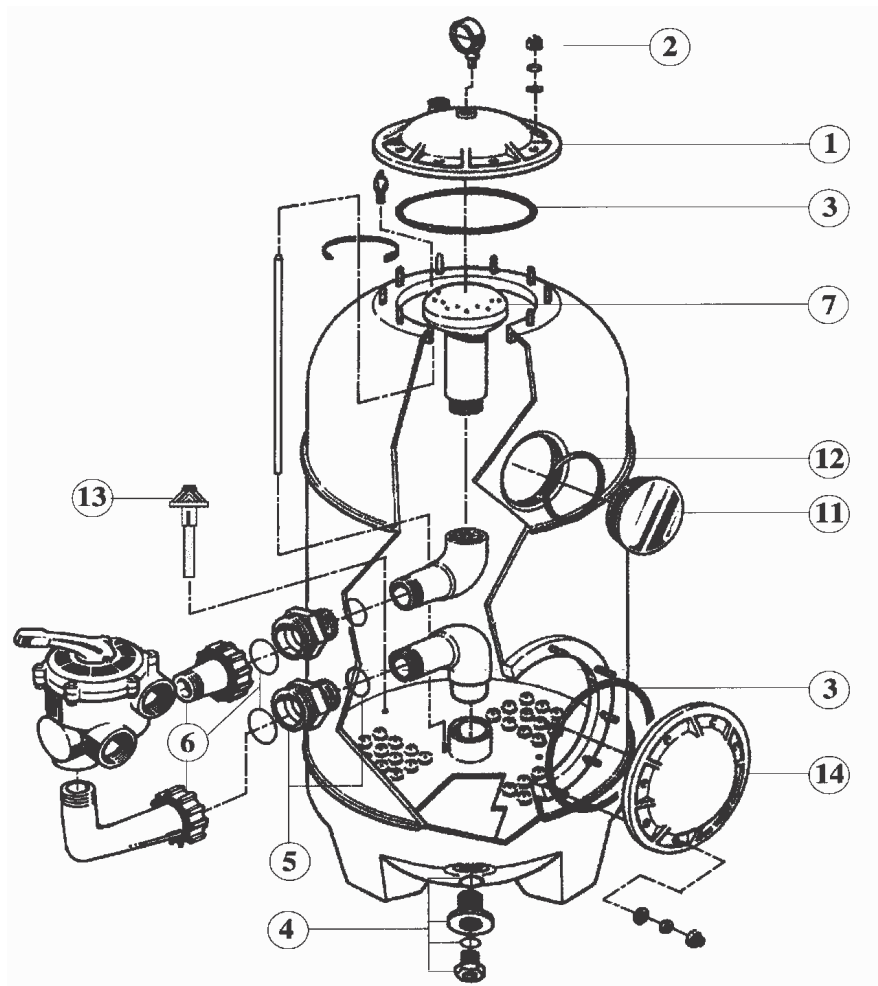
San Sebastian® SSB & SBL sand filter with lateral system.  
All models D 640 mm, 760 mm, 900 mm. Filtrations bed 1,0 to 1,2 m.



Part number	Spare part number
01. Top lid	49-240002
02. Manuel air release	49-220001
03. O-ring for lid	49-240003
04. Complete drain kit	49-208517
04. Drain plug with o-ring	49-208606
05. Tank fitting kit	49-200020
06. Adaptor kit for multivalve	49-200208
07. Diffuser	49-208563
08. Lateral for D 640 mm	49-200150
08. Lateral for D 760 & 900 mm	49-200210
09. Collector for lateral (8 pcs. laterals)	49-220013
11. Sightglass	-
12. O-ring for sightglass	-
14. Side lid	49-240027
6-way multivalve for all models	43-130023
PLEASE NOTE: Lateral no. 8 - may next year be built with a new design.	

## san sebastian® sand filters - nozzle

San Sebastian® SSP & SPL sand filter with nozzle system.  
All models D 640 mm, 760 mm, 900 mm. Filtration bed 1,0 to 1,2 m.



Part number	Spare part number
01. Top lid	49-240002
02. Manuel air release	49-220001
03. O-ring for lid	49-240003
04. Complete drain kit	49-208517
04. Drain plug with o-ring	49-208606
05. Tank fitting kit	49-200020
06. Adaptor kit for multivalve 2"	49-200208
07. Top diffuser	49-208563
11. Sightglass.	-
12. O-ring for sightglass	-
13. Nozzles. Slot 0,5 mm	47-828550 ♦
14. Side lid	49-240027
6-way multivalve for all models	43-130023
♦ = pcs. nozzles pr. filter type: 640 = 24, 740 = 36, 900 = 44	