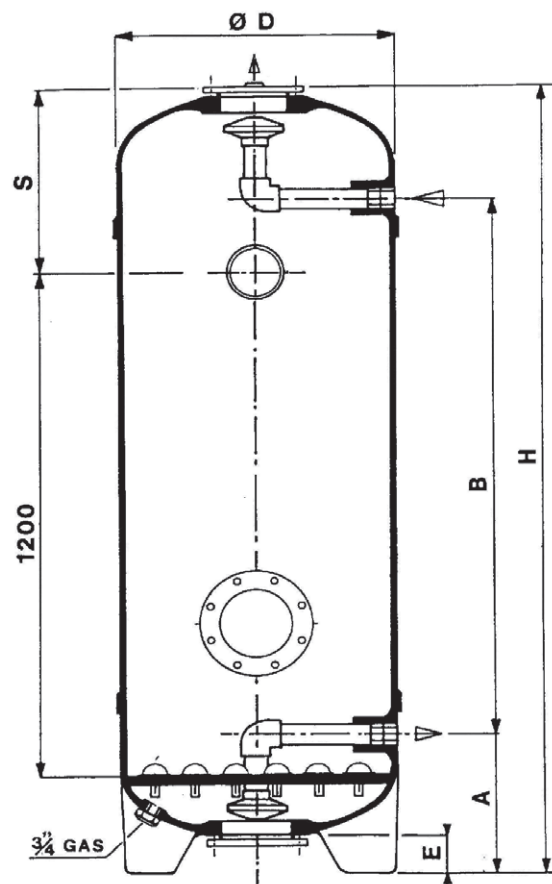


SAND FILTERS

CALPLAS® SAND FILTERS - MODEL CPS - NOZZLE

Calplas® CPS sand filter. Made in laminated polyester and reinforced with fibre glass.
 All filters are made with filter nozzles. Colour: RAL code 5015 blue.
 All filters are made with sightglass, top and side manhole. The filters are ozone resistant.
 The filters are manufactured after international standards. Test pressure 3,5 kg/cm²



Size mm	D 415	D 460	D 520	D 640	D 720	D 840	D 960
Filter area m ²	0,12	0,16	0,2	0,3	0,4	0,528	0,7
Filter connection thread	1½"	1½"	1½"	1½"	2"	2"	2½"
Sand quantity in Kg. Total	220	275	330	500	660	880	1100
Sand size 0,4 - 0,8 mm. Kg	200	250	300	450	600	800	1000
Sand size 3 - 5 mm. Kg	20	25	30	50	60	80	100

Dimensions/D in mm							
D	415	460	520	640	720	840	960
A	346	357	362	390	420	473	505
B	1310	1310	1310	1310	1310	1310	1370
E	150	150	150	150	160	160	160
H	1862	1881	1895	1935	2000	2060	2150
S	407	411	425	445	480	510	565
M	200	305	305	355	355	355	420