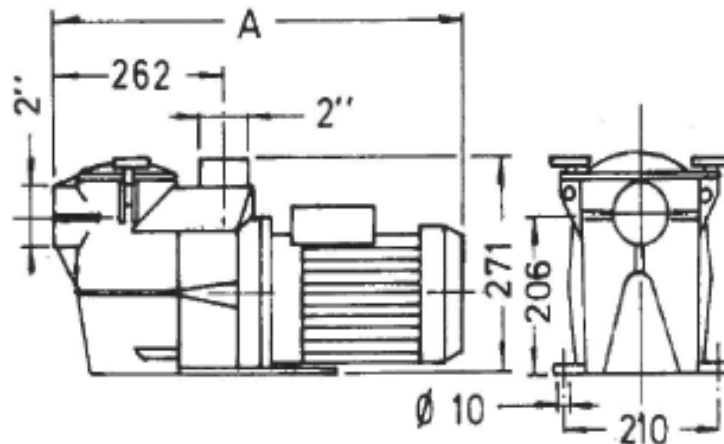


KORAL® POOL PUMPS

Koral® centrifugal pool pump with prefilter. Made in thermosetted plastics reinforced with fibre glass.
The product is CE marked. Directive 89/392. Class F. IP 54. 50 Hz. 2850 rpm.
Max water temperature 60° C. Max water pressure 2,5 bar. For max 9,0 % saltwater.



| Model | 0,37 kW | 0,55 kW | 0,75 kW | 1,10 kW | 1,50 kW | 2,20 kW |
|-----------------|---------|---------|---------|---------|---------|---------|
| Volt 3-phase | 230/400 | 230/400 | 230/400 | 230/400 | 230/400 | 230/400 |
| Amp | 1,6/0,9 | 3,2/1,8 | 3,4/2,0 | 4,5/2,6 | 5,9/3,4 | 9,2/5,3 |
| Volt 1-phase | 230 | 230 | 230 | 230 | 230 | xx |
| Amp | 3,1 | 4,2 | 4,7 | 7 | 8,5 | xx |
| Cond | 12µF | 18µF | 20µF | 25µF | 35µF | xx |
| Pipe connection | 2"-2" | 2"-2" | 2"-2" | 2"-2" | 2"-2" | 2"-2" |

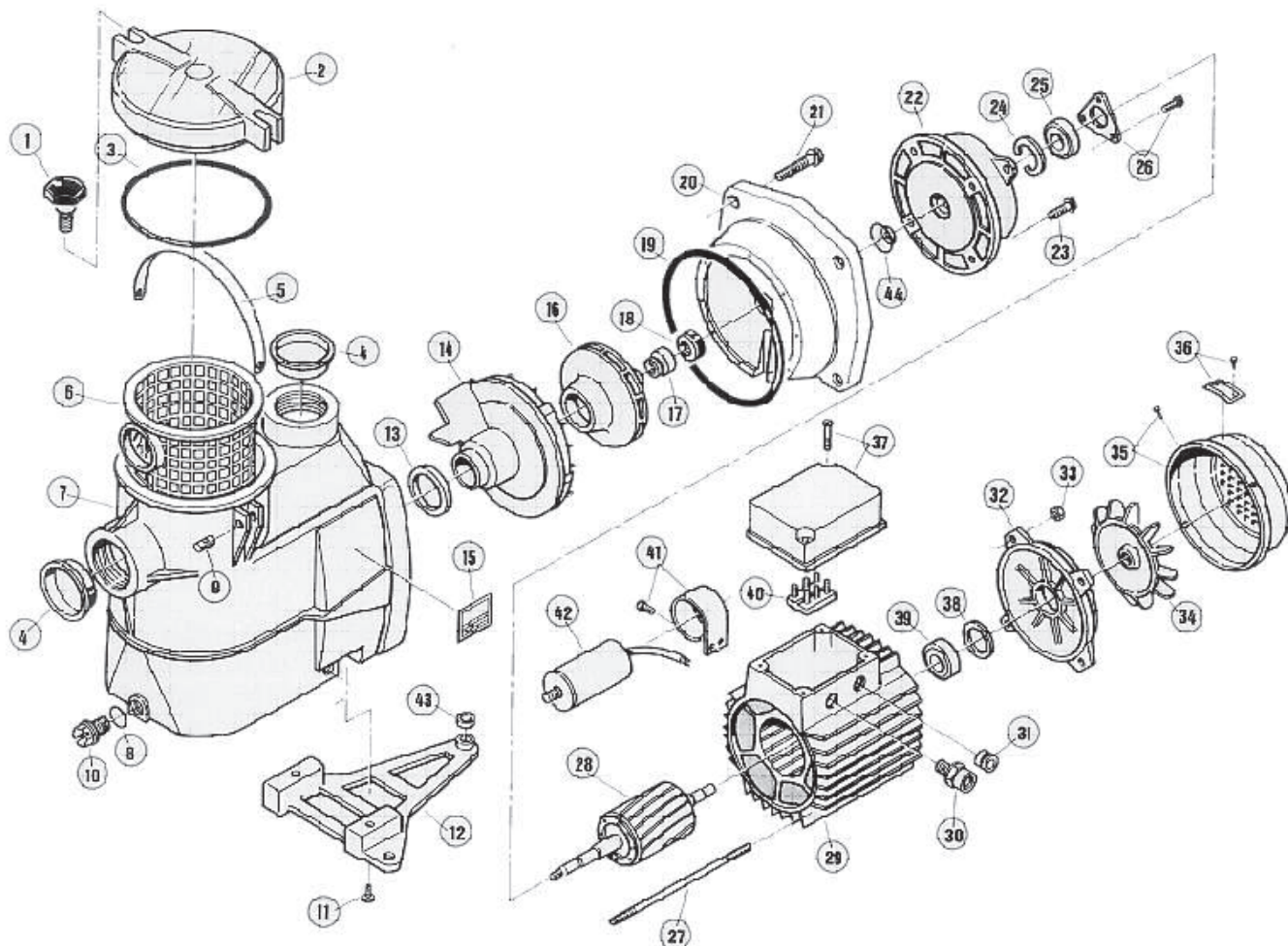
| Pump performance | | | | | | |
|---------------------------|-----|------|------|------|------|------|
| M ³ /h at 6 m | 12 | 14,5 | 19,5 | 25,5 | 28,4 | 34,5 |
| M ³ /h at 8 m | 10 | 13,5 | 17,5 | 23 | 27,8 | 32 |
| M ³ /h at 10 m | 7,5 | 11,5 | 15,4 | 21,9 | 27,5 | 29,5 |
| M ³ /h at 12 m | 5 | 8,9 | 13 | 19,7 | 23,5 | 26,9 |
| M ³ /h at 14 m | 1 | 5,2 | 10 | 16,4 | 20,5 | 24 |
| M ³ /h at 16 m | 0 | 1,5 | 5,8 | 11,8 | 17 | 20 |
| M ³ /h at 18 m | 0 | 0 | 1 | 6,2 | 12 | 16,2 |

| Measurement/ In mm | | | | | | |
|--------------------|-----|-----|-----|-----|-----|-----|
| A | 550 | 550 | 550 | 580 | 580 | 620 |

POOL PUMPS

KORAL® POOL PUMPS

Spare parts for Koral® pump.



Please note, some of the motor models have been changed over time.

KORAL® POOL PUMPS

Spare parts for Koral® pump.

| Part number | Spare parts number | | | | | | |
|------------------------------------|--------------------|-----------|-----------|-----------|-----------|-----------|-----------|
| | Type | 0,37 kW | 0,55 kW | 0,75 kW | 1,10 kW | 1,50 kW | 2,20 kW |
| 01. Lid screw m8 | | 39-200100 | 39-200100 | 39-200100 | 39-200100 | 39-200100 | 39-200100 |
| 02. Pump lid | | 39-200200 | 39-200200 | 39-200200 | 39-200200 | 39-200200 | 39-200200 |
| 03. O-ring for lid | | 39-200300 | 39-200300 | 39-200300 | 39-200300 | 39-200300 | 39-200300 |
| 04. Plug 2" | | 39-200400 | 39-200400 | 39-200400 | 39-200400 | 39-200400 | 39-200400 |
| 05. Handle for basket | | 39-200500 | 39-200500 | 39-200500 | 39-200500 | 39-200500 | 39-200500 |
| 06. Filter basket 3,2 mm | | 39-200600 | 39-200600 | 39-200600 | 39-200600 | 39-200600 | 39-200600 |
| 07. Pump casing | | 39-200700 | 39-200700 | 39-200700 | 39-200700 | 39-200700 | 39-200700 |
| 08. O-ring for drain plug | | 39-200800 | 39-200800 | 39-200800 | 39-200800 | 39-200800 | 39-200800 |
| 09. Nut pin | | 39-200900 | 39-200900 | 39-200900 | 39-200900 | 39-200900 | 39-200900 |
| 10. Drain plug ¼" | | 39-201000 | 39-201000 | 39-201000 | 39-201000 | 39-201000 | 39-201000 |
| 11. Screw for pump base | | 39-201100 | 39-201100 | 39-201100 | 39-201100 | 39-201100 | 39-201100 |
| 12. Pump base | | 39-201200 | 39-201200 | 39-201200 | 39-201200 | 39-201200 | 39-201200 |
| 13. Diffuser gasket | | 39-201300 | 39-201300 | 39-201300 | 39-201300 | 39-201300 | 39-201300 |
| 14. Diffuser | | 39-201400 | 39-201400 | 39-201400 | 39-201400 | 39-201400 | 39-201400 |
| 16. Impeller | | 39-201603 | 39-201605 | 39-201607 | 39-201611 | 39-201615 | 39-201622 |
| 17. Seal carbon part - incl. no.18 | | 39-201700 | 39-201700 | 39-201700 | 39-201700 | 39-201700 | 39-201700 |
| 18. Seal ceramic part | | 39-201800 | 39-201800 | 39-201800 | 39-201800 | 39-201800 | 39-201800 |
| 19. O-ring for pump flange | | 39-201900 | 39-201900 | 39-201900 | 39-201900 | 39-201900 | 39-201900 |
| 20. Flange | | 39-202000 | 39-202000 | 39-202000 | 39-202000 | 39-202000 | 39-202000 |
| 21. Screw for flange 8 x 30 mm | | 39-202100 | 39-202100 | 39-202100 | 39-202100 | 39-202100 | 39-202100 |
| 25. Bearing rear. 2RS | | 39-366202 | 39-366202 | 39-366202 | 39-366204 | 39-366204 | 39-366204 |
| 32. Motor flange B3 | | 39-203271 | 39-203271 | 39-203271 | 39-203280 | 39-203280 | 39-203280 |
| 34. Fan | | 39-203401 | 39-203401 | 39-203401 | 39-203402 | 39-203402 | 39-203402 |
| 35. Fan cover | | 39-203501 | 39-203501 | 39-203501 | 39-203502 | 39-203502 | 39-203502 |
| 37. Enclosure lid. Only for EMG | | 39-209440 | 39-209440 | 39-209440 | 39-209440 | 39-209440 | 39-209440 |
| 00. Complete motor 230 volt | | 39-209203 | 39-209205 | 39-209207 | 39-209211 | 39-209215 | - |
| 00. Complete motor 230/400 volt | | 39-209403 | 39-209405 | 39-209407 | 39-209411 | 39-209415 | 39-209422 |
| 39. Bearing front. 2RS | | 39-366202 | 39-366202 | 39-366202 | 39-366204 | 39-366204 | 39-366204 |
| 42. Capacitor af 230 v. motors | | 39-102214 | 39-102218 | 39-102220 | 39-102225 | - | - |