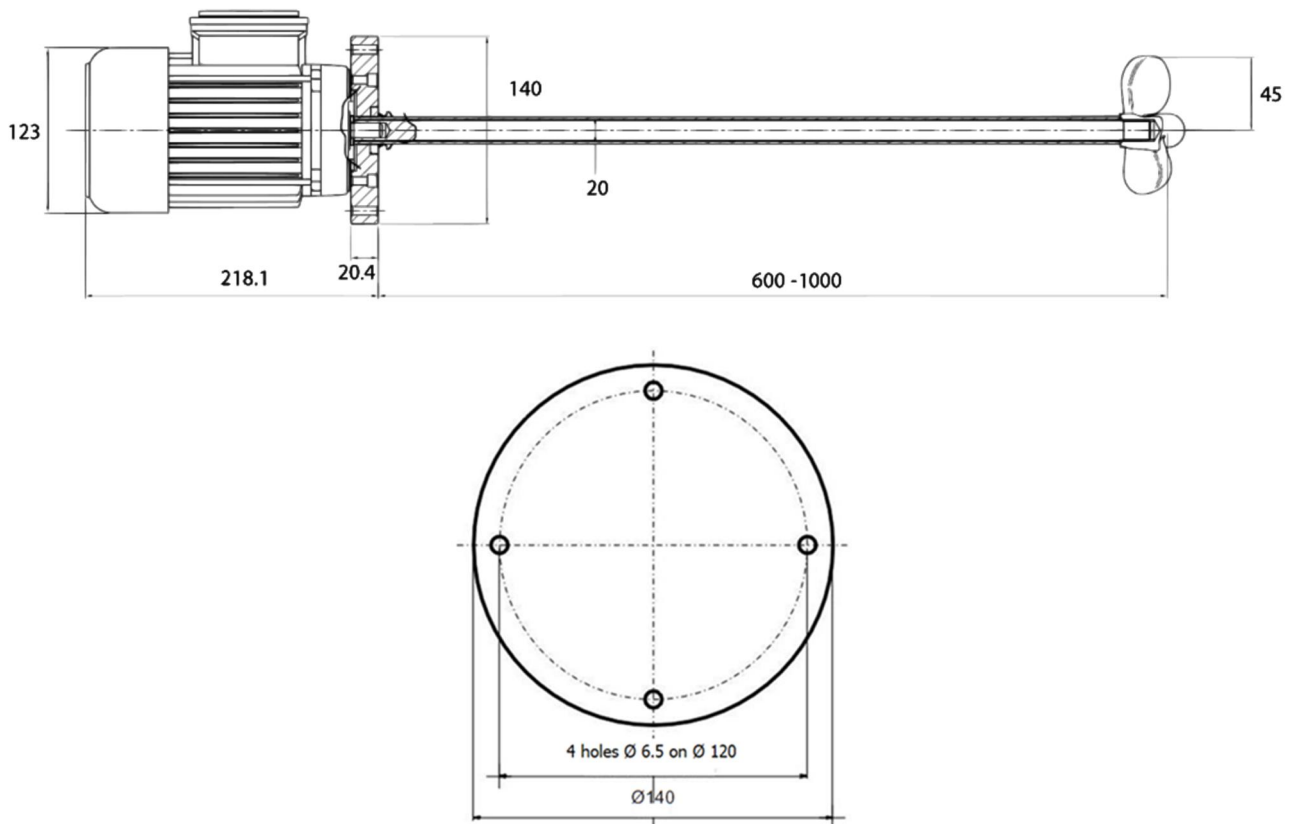


**MIXER – AF series****PRODUCT DESCRIPTION**

AF Mixers are motor driven high-speed mixers for small capacity tanks (up to 500 litres), with lengths from 600 to 1000 mm. shaft bearings sealed by a “V” ring to protect from external vapors. Shaft and impeller are in stainless steel 316L or PP covering a steel core. Impeller flow cone type. The motor is available as either 230-400V 50Hz three phase 0.18 kW 1400 rpm (4 pole) IP55 or 230V 50Hz single phase. These mixers include a PP support flange for tank mounting allowing for ease of installation.

**DIMENSIONS**

We reserve the right to make changes at any time without notice to colors, materials, specifications and models

## MIXER – AF series

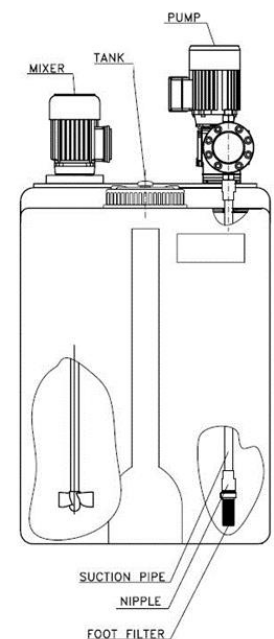
### CODE

Model								
AGT	Mixer							
	Type							
	1	AF						
		Power Motor						
		2	0.18kW					
			Number of Poles					
			4	4 poles				
				Power Supply				
				1	Three phase			
				2	Single phase			
					Shaft Length			
				0	60 cm			
				1	80 cm			
				3	70 cm (ONLY PP shaft)			
				4	100 cm			
					Type of Impeller			
				0	Marine Propeller			
					Material			
					1	SS316L		
					3	PP		
AGT	1	2	4	1	0	0	3	Example

### TYPICAL INSTALLATION

Composed of:

- A- Dosing Pump
- B- Mixer
- C- Tank in Polyethylene
- D- Tank support for dosing pump and mixer
- E- Suction Pipe and else...



We reserve the right to make changes at any time without notice to colors, materials, specifications and models